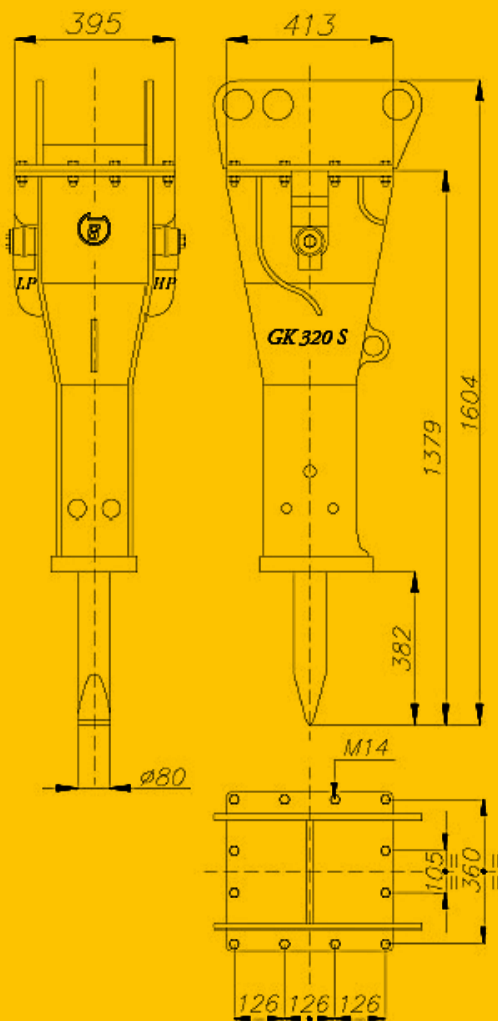




Italdem®



GK-320 S HYDRAULIC BREAKER

OPERATING WEIGHT	330 KG
TOOL DIAMETER	80 MM
OIL FLOW	45÷85 L/MIN
WORKING PRESSURE	95÷105 BAR
RELIEF VALVE	140 BAR
MAX BACKPRESSURE	12 BAR
BLOW ENERGY	750 JOULE
REQUIRED POWER	20 HP
IMPACT RATE	540÷1000
CARRIER WEIGHT	4,5÷9 TON
MAX NOISE LEVEL (SILENCED)	90 DB-A
INNER DIAMETER HP LINE	20 MM
INNER DIAMETER LP LINE	30 MM

www.italdem.com