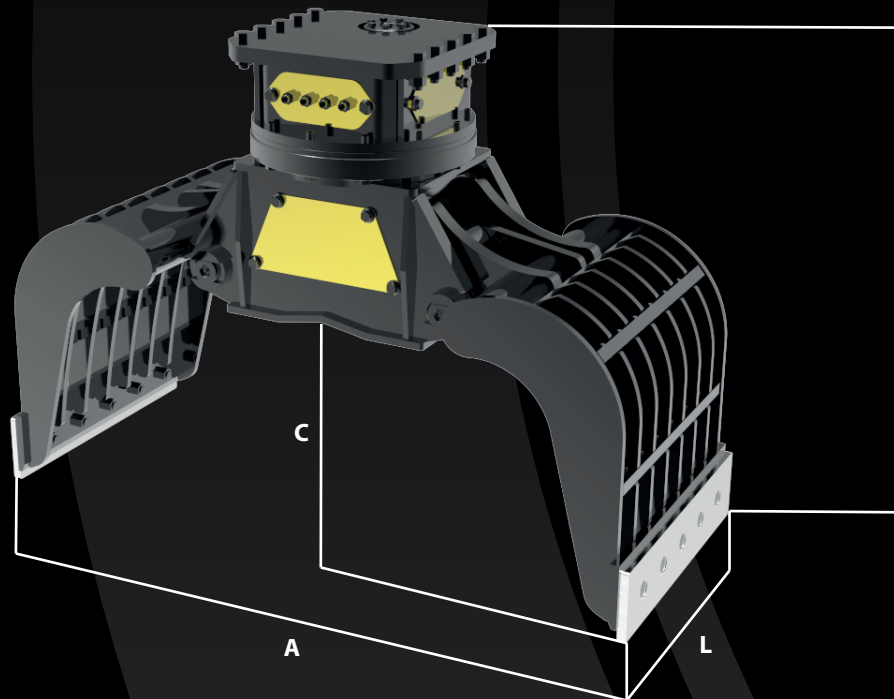




RECYCLING/ MATERIAL HANDLING

GRP SERIES

GRAPPLE



MODEL		GRP150	GRP250	GRP450	GRP750	GRP1000	GRP1500	GRP2000
A	mm	890	1090	1190	1540	1790	1940	2090
B	mm	340	390	490	690	790	990	1090
C	mm	540	670	840	1140	1440	1540	1640
L	mm	390	490	590	690	870	1010	1190
	kg	140	230	370	690	990	1490	1990
	t	1.5/4	4/7	5/12	7/16	13/19	17/23	22/31
	bar	200	200	200	250	300	300	300
	l/min	15	20	25	45	50	75	90
	bar	70	70	70	70	70	70	70
	l/min	2	2	2	15	30	30	30

Within the production cycle for the handling of materials of various different nature (construction or waste disposal site) either heavy or voluminous, specific handling grapple equipment of different type is used.